



ENERVER

EFICIENCIA ENERGÉTICA

TUV Listed LED Street Lights



Optical control function is supported by optional
Dimming functions are supported by optional
† Three in One (1-10V DC or PWM Signal or Resistance)
† Timer



Photocell



Overview

An elegant new design with ENELTEC 3rd-generation module, more efficient PHILIPS LUXEON® Rebel ES LED luminous source and high reliable MEAN WELL HLG series LED driver make the products the most cost-effective LED street light available today.

Color Options



Application

- Municipal Road
- Highway
- Public Park
- Parking Lot



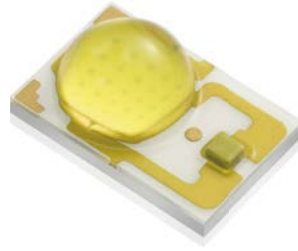
Product Benefits

PHILIPS LUMILEDS LED LUMINOUS SOURCE

ENELTEC TUV Listed LED Street lights are utilizing PHILIPS LUXEON® Rebel ES LED luminous source, providing excellent lumen output, long-lasting stability and splendid sight.

Each LUXEON® Rebel ES owns electrostatic protection component, maximally avoid the damage of electrostatic.

More information about the LUXEON® Rebel ES and solid-state lighting technologies can be found at www.philipslumileds.com.



*Superior efficacy
Leading lumen output
Ultimate design flexibility*

LUXEON®
NEVER BEFORE POSSIBLE



MW MEAN WELL LED DRIVER

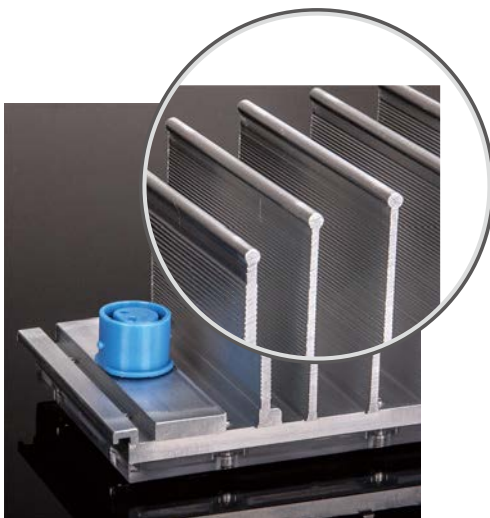
ENELTEC TUV Listed LED Street lights are utilizing MEAN WELL® HLG series high-end driver, great luminaire stability, lifespan and optimal performance status.

More information about the MEAN WELL® HLG series and LED driver technologies, please visit www.meanwell.com



BRAND-NEW LED MODULE DESIGN

Exquisite design with powerful thermal output, with more reliable waterproof performance.



Cylindrical edge design, avoid risk of cuts



Black & Silvery



Overall stainless steel hexagon screws adopted

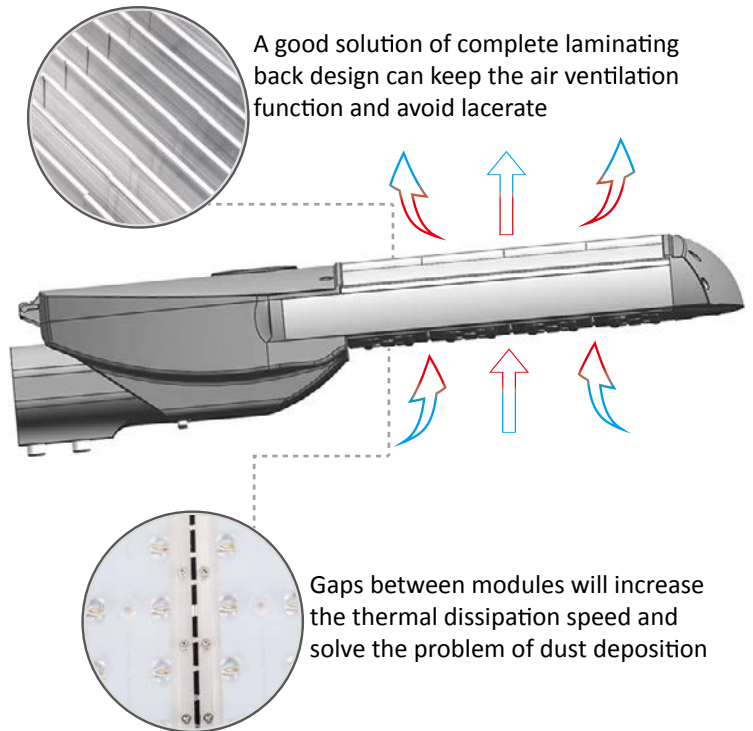
Product Benefits

XTREME LUMINAIRE DESIGN

Equipped with exceptional ENELTEC New Type LED module, the brand-new H series LED street light will give best luminous output, stability and super long life. And intend to build the most cost-effective LED street light ever.

ENELTEC completed the R&D independently, and reserve all related patents for LED street lights.

Easy assemble/disassemble, neat wiring & connection, up to 95LPW(lumen per watt) luminaire light output, IP66 Rated, 90%+ driver efficiency, 5 year warranty for whole luminaire.



FLEXIBLE INSTALLATION

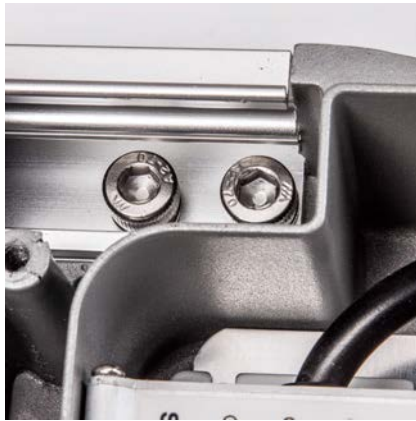


Designed for horizontal and vertical applications and 0-15° adjustable by each step. Easily switch 180° of the pole mounting component for horizontal and vertical installation.

Product Benefits



Professional lens design, better performance for street lighting



Utilize two M8 x 16 fortified stainless steel screws to fix the luminaire part to electrical part in both side



New module connection, neat, clean more efficiency



Utilize Germany **WAGO**® connectors for output connections, safety, convenient and fast



Utilize M12 waterproof connector for output cable fixing, avoid damage of hard power pulling



Also use M16 waterproof connector for input cable fixing, avoid damage of hard power pulling



A more rational clamshell design for electrical box, sturdy and durable

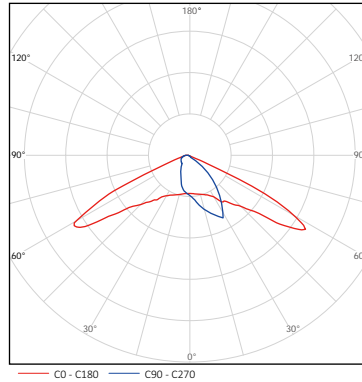
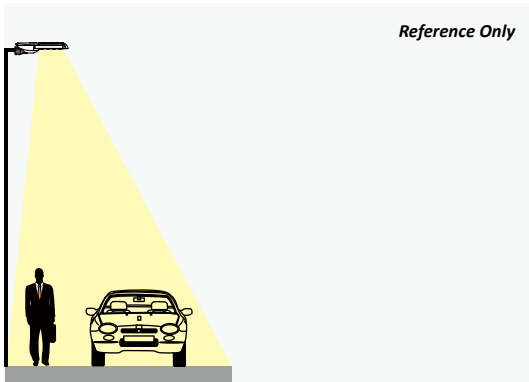


Whole luminaire utilize the stainless steel screws, no corrosion worries



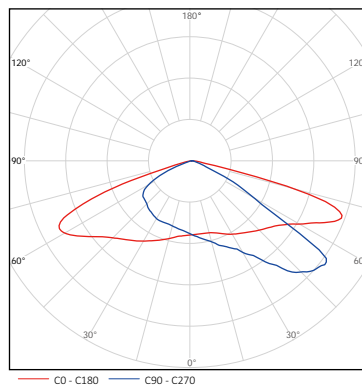
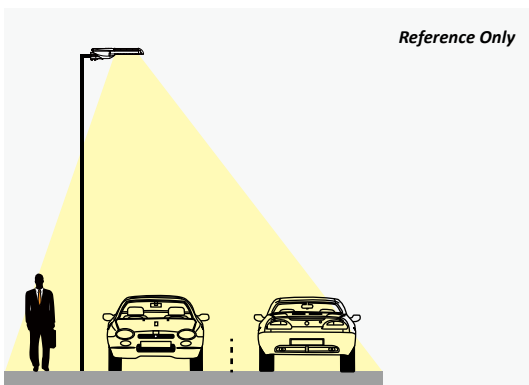
Superlative craftsmanship

Light Distribution



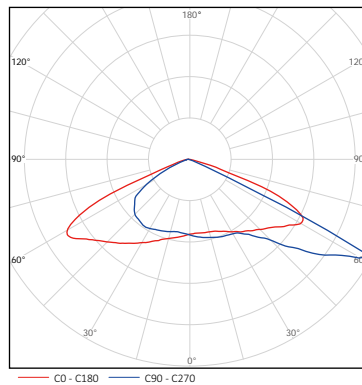
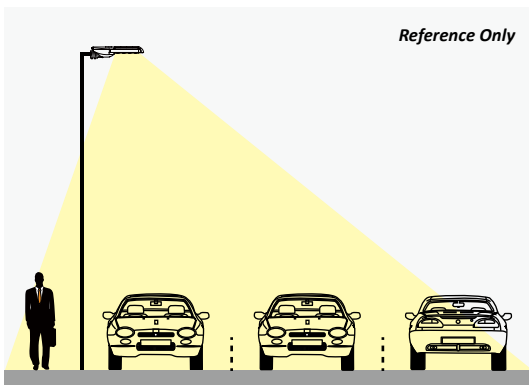
135°H x 50°V

- Application:
1. Single Driveway
 2. Walkway /Cycleway
 3. Branch Roads



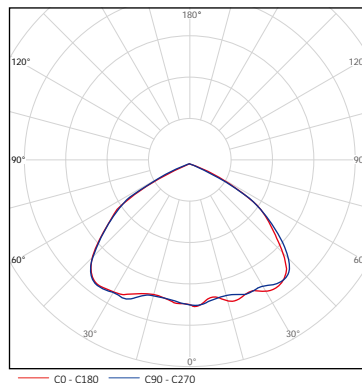
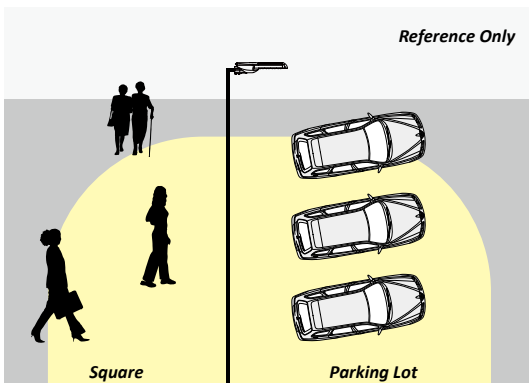
140°H x 65°V

- Application:
1. Two Driveway
 2. Driveway Entrance
 3. Urban Main Roads



140°H x 70°V

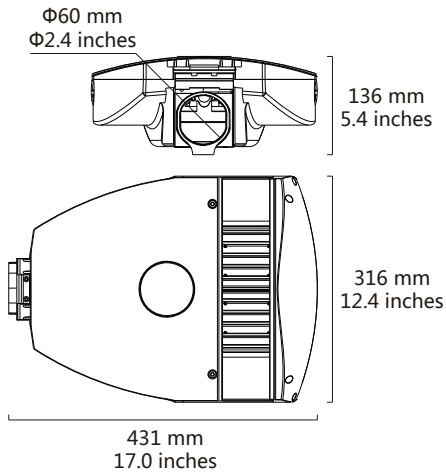
- Application:
1. Three Driveway
 2. Highway
 3. Parking Lot /Area



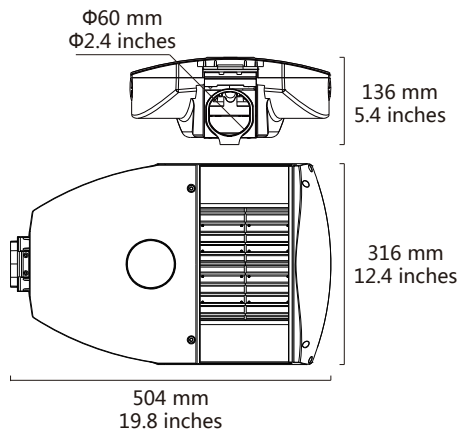
110°H x 110°V

- Application:
1. Parking Lot
 2. Square
 3. Area

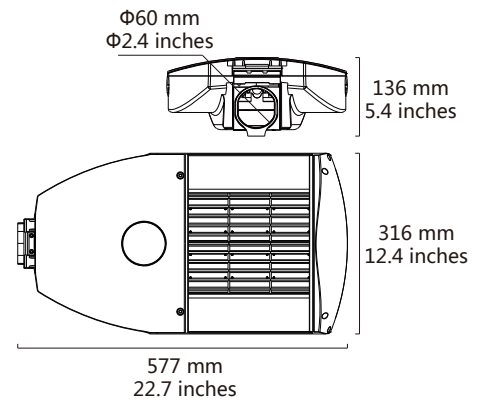
Dimensions:



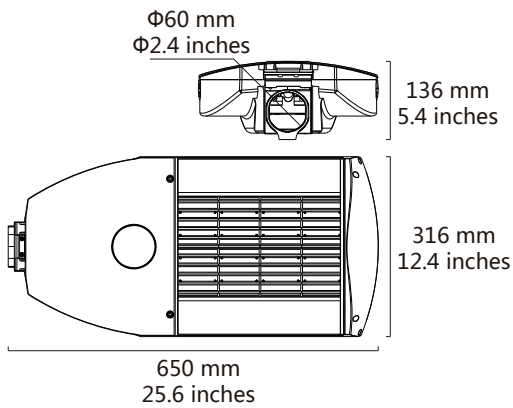
30W



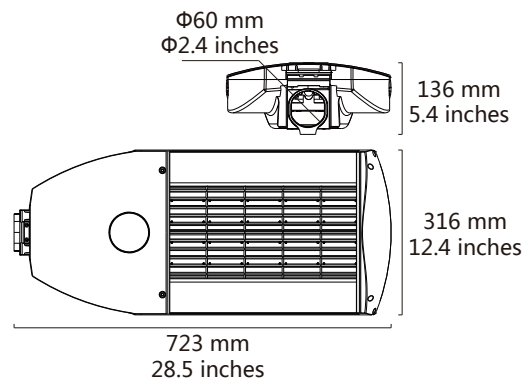
60W



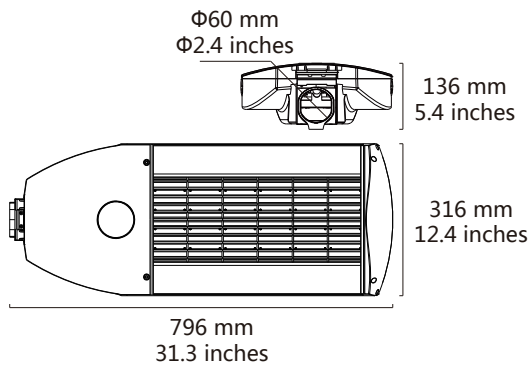
90W



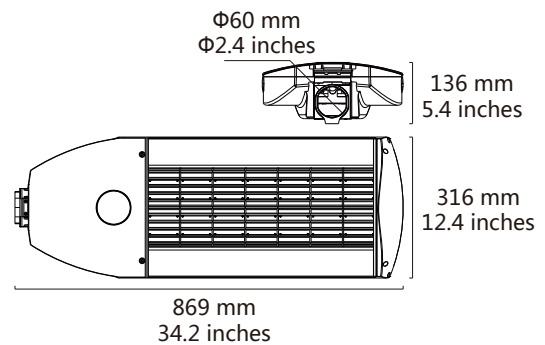
120W



150W



180W



210W

Data:

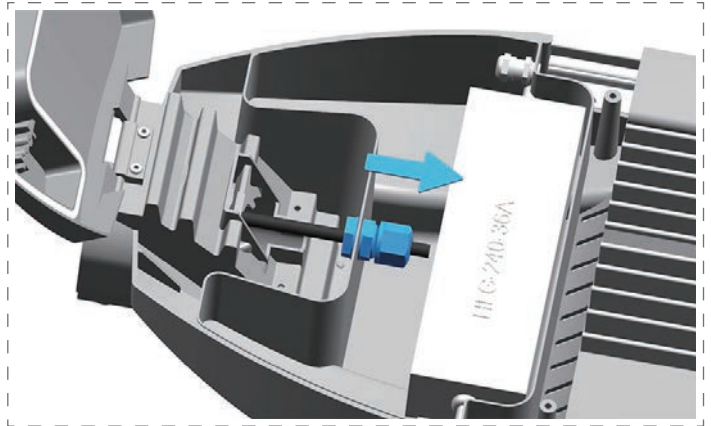
Model	ENSL-30W-01TUV	ENSL-60W-01TUV	ENSL-90W-01TUV	ENSL-120W-01TUV	ENSL-150W-01TUV	ENSL-180W-01TUV	ENSL-210W-01TUV
LED Power (W)	30	60	90	120	150	180	210
Total Power (W)	35	65	100	135	165	200	230
Lumen Output (Lm)	3325	6175	9500	12825	15675	19000	21850
Luminous Efficacy	95lm/w						
Beam Angle	135°H x 50°V / 140°H x 65°V / 140°H x 70°V / 110°H x 110°V						
Input Voltage	100-240VAC, 50/60Hz / 12VDC / 24VDC			100-240VAC, 50/60Hz			
Maximum Current	0.36A -120V 0.18A -240V	0.67A -120V 0.33A -240V	1.03A -120V 0.51A -240V	1.39A -120V 0.69A -240V	1.70A -120V 0.85A -240V	2.06A -120V 1.03A -240V	2.37A -120V 1.18A -240V
PF	> 0.9						
Power Efficiency	> 90%						
Color	3800-4100K / 5000-5650K / 5650-6300K						
CRI	≥75						
Working Environment	Temperature: -40°C~50°C Humidity: 10%~95%						
IP Rating	IP66						
IK Rating	IK08						
LED Brand	PHILIPS LUXEON® Rebel ES						
Driver	MEAN WELL® HLG series						
Heatsink	Anodized Aluminum						
Optics lens	PC						
Working Life (Hours)	50000 hours - L ₇₀ , @25 °C						

Installation Instruction:

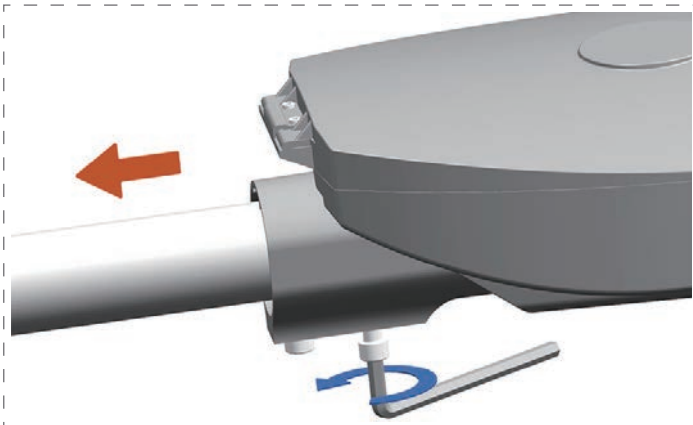
 **Caution: Always switch off the power supply before commencing work!**



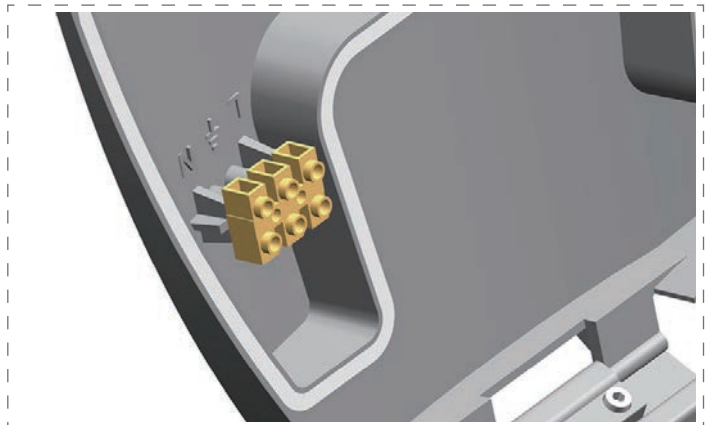
Open the electrical box by remove two M5 hexagon screws.



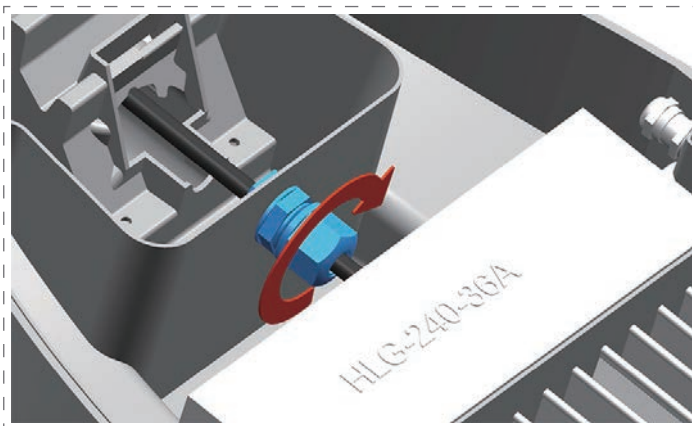
Thread the cable by M16 waterproof connector, do not tighten the connector.



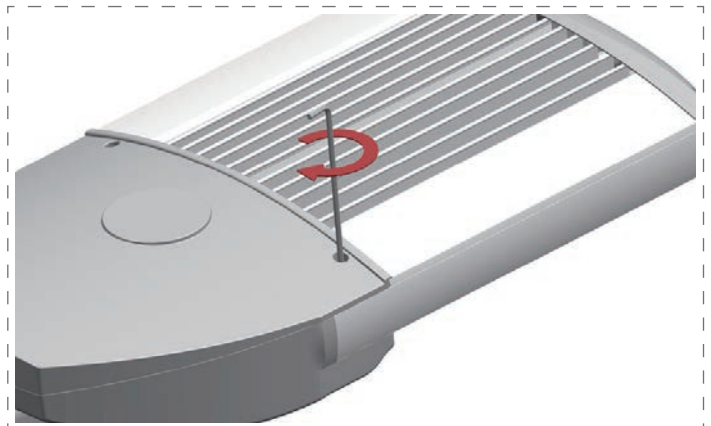
Mount the street light and adjust to proper position, fix the two M10 screws.



Connect the wires to terminal block accordance with L, N and GND \oplus on the cover of electrical box.



Tighten the waterproof connector after connection finished to avoid damage of pull.



Close the cover, tighten the M5 hexagon screws both sides.

Packing:



Model	ENSL-30W-01TUV	ENSL-60W-01TUV	ENSL-90W-01TUV	ENSL-120W-01TUV	ENSL-150W-01TUV	ENSL-180W-01TUV	ENSL-210W-01TUV
Packing Method	1 unit / ctn	1 unit / ctn	1 unit / ctn	1 unit / ctn	1 unit / ctn	1 unit / ctn	1 unit / ctn
Packing Dimension	480x370x200 (mm) 18.9x14.6x7.9 (inches)	550x370x200 (mm) 21.9x14.6x7.9 (inches)	630x370x200 (mm) 24.8x14.6x7.9 (inches)	705x370x200 (mm) 27.8x14.6x7.9 (inches)	780x370x200 (mm) 30.7x14.6x7.9 (inches)	855x370x200 (mm) 33.7x14.6x7.9 (inches)	930x370x200 (mm) 36.6x14.6x7.9 (inches)
Net Weight/ Gross Weight	5.3/6.3 (kg) 11.7/13.9 (lbs)	6.1/7.3 (kg) 13.4/16.1 (lbs)	7.3/8.6 (kg) 16.1/19.0 (lbs)	8.2/9.6 (kg) 18.1/21.2 (lbs)	9.0/10.6 (kg) 19.8/23.4 (lbs)	9.9/11.6 (kg) 21.8/25.6 (lbs)	10.8/12.6 (kg) 23.8/27.8 (lbs)

INSTRUCTIONS

1. Please read the installation instruction very carefully before use and connection to ensure safety.
2. Please do not operate the device over marked voltage and frequency range.
3. Always switch off the power supply before commencing work!
4. Do not impact and fall the product.

AFTER-SALE SERVICE

ENELTEC warrants this hardware product against defects in materials and workmanship under normal use for a period of FIVE (5) YEAR from the date of purchase. ENELTEC provides free repair or replacement within warranty period. ENELTEC shall charge against defeats by abnormal storage, useage, connection or change the structure or any components of the product.

*Damage by thunderstroke over 4KV(L,N against FG) /2KV(L against N) will not covered by warranty based on IEC61000-4-5.

The product (LED lighting equipment, electrical , electronic equipment) should not be placed in municipal waste. Check local regulations for disposal of electronic products.

- Features and specifications are subject to change without notice.
- The product color may be different with actual due to discrepancy of camera or screen settings.